

CERTIFICATE OF CONFORMITY

Product Listing Scheme: Scheme Type 5

This certificate is issued to: Promat Building System Pte Ltd
10 Science Park Road
#03-14 The Alpha
Science Park II
Singapore 658065

Registration Number/UEN: 199002185G

Product: Protection to Building Service

Brand: PROMINA® 60

Model: PMF.50.24.I60

Country of Origin: Singapore

Product Details: Integrity: 240mins ; Insulation: 60mins
Enclosure Size (mm): 295 x 295
For Pipe Size Ø150mm
Board (1 layer): PROMINA® 60
Density: 1081kg/m³ (±20%) ; Thickness: 9mm
(Classification: A1)

Standard(s): BS 476-20:1987
EN 13501-1:2007 / A1:2009

Report(s): FSRG No. 2020/004IF
TÜV SÜD PSB No. 7191095461-MEC14/1E-JV
7191095461-MEC14/2E-JV, 7191095461-MEC14/3E-LGJ

APPROVED FOR
DISTRIBUTION
Chong Sweelin
CHONG SWEELIN

This certificate issued in accordance with SCDF Fire Code 2018 requirements.



Head of Certification



Certificate No.	Date of Original Issue	No. of Page(s)	Date of Last Revision	Date of Expiry
20A0270	5 June 2020	1 of 1	-	4 June 2025

This Certificate is part of a full report and should be read in conjunction with it. This Certificate remains the property of Singapore Test Services Pte Ltd ("STS") and shall be returned upon request. The use of this Certificate is subjected to the terms and conditions of the Product Listing Scheme of STS. The above certified company is solely responsible for compliance of any product that has the same designation as the product type tested. Parties relying on this Certificate should verify its validity with STS.

Project:

Location:

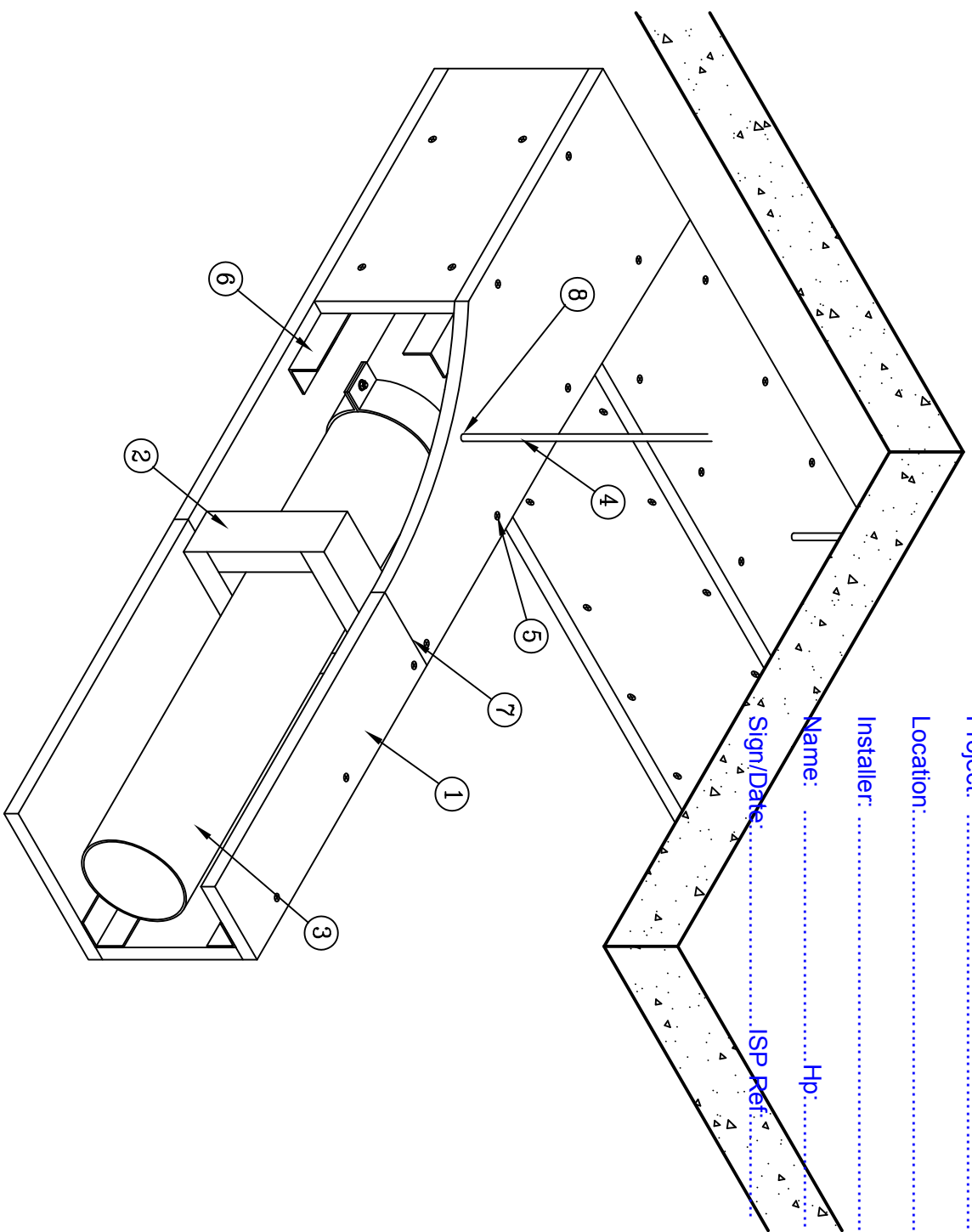
Installer:

Name:

Sign/Date:

ISP Ref:

Hp:



No.	Technical Specification	Check
1	PROMINA 60 board 9mm thick	<input type="checkbox"/>
2	Steel channel collar coincides with butt-joints at 1.2m centres : i) U50x25x0.5mm enclosure width up to 100mm ii) U50x50x0.6mm enclosure width above 100mm	<input type="checkbox"/> <input type="checkbox"/>
3	Utility steel pipe	<input type="checkbox"/>
4	M12 steel hanger rod (refer note 3)	<input type="checkbox"/>
5	M4 self-tapping screws at 200mm centres.	<input type="checkbox"/>
6	Steel corner angles: i) L30x30x0.5mm enclosure width up to 100mm ii) L50x50x0.6mm enclosure width above 100mm	<input type="checkbox"/> <input type="checkbox"/>
7	Any undulating gaps between the interfacing board and masonry substrate shall be sealed with PROMASEAL acrylic sealant	<input type="checkbox"/>
8	Penetration gap seal with PROMASEAL acrylic fire sealant	<input type="checkbox"/>

NOTE:

1) The general building services enclosure system also achieved 60mins insulation criterion.

2) Promat has no control of the substance convey by the utility steel pipe. It is the qualified person roles to assess the suitability of the board enclosure.

3) Unprotected steel hanger rod permissible tensile stress as follows :
- 2hr : not exceeding 10N/mm²
- 4hr : not exceeding 6N/mm²

This information is intended for approximate representations only. The user must determine the suitability of the design and requirements before undertaking or constructing any works relating to Promat's drawing details. Promat accepts no liability for aforementioned drawings and representations

Title: **PROMINA-60 UP TO FOUR HOUR FIRE INTEGRITY ENCLOSURE SYSTEM TO UTILITY PIPE**

Subject/Project: **TYPICAL DRAWING**

Model no.: PWF.50.24.160

Drawing no.: PWF5024160/SD/1_1

Test Standard: BS 476: Part 20

CoC no.: 20A0270

Amendment no.: 1



PROMAT BUILDING SYSTEM
10 Science Park Road
#03-14 The Alpha
Singapore Science Park II
Singapore 117684
Tel : 65-6776 7635
Fax : 65-6776 7624

Drawn by: BK

Checked by: *[Signature]*

Date: 23/06/2020

Sheet no.: 1 of 1

Scale: NTS

Dimension: mm

Standard Drawing
 Project Drawing